

اجهزة وقطع اصلاح الشاسية وسحبه ووزنه بالليزر وبنظام السحب للسيارات والشاحنات

## **Albarakat Group automobile test & repair Equipment Supplies.**

Albarakat Automobile Test - repair and reshaping equipment is the largest supplier in the Arabian Gulf area.

Since Albarakat was founded, we were dedicated to provide our costumers with basic of automobile test and repair equipment. Sale network and service system spread all over the world. Latest technologies together with car repair and reshaping experience across the world and many patents, the albarakat series of lots of new types of products has been developed. Our products can be applied to repair and reshaping of cars, cross-country vehicles, minibuses, light trucks and heavy trucks. Precision, fast and practice is the characteristic of our products. W-400 Automatic Laser Measuring System and W-6000 Heavy Truck Repair Bench for auto body are developed by the WANAT Company through years of efforts. It is a landmark for the reshaping equipment for the crossbeam of vehicle and measuring equipment, and it is up to the top class of the world,

It has earned recognition of end users as a result of excellent performance, advanced technology, and speedy services.

**We are sincerely looking forward to cooperation with you!**

### **Our contact information:**

Add: Saudi Arabia – Jeddah Sarry St.

Tel: +966591008032

Fax: +96626687424

Email: albarakatgroup@gmail.com

Skype: albarakatgroup - Yahoo : albrakatgroup MSN : albarakatgroup

URL <http://sites.google.com/site/steamxpress/home>

<http://smart-repiars.ning.com/video>

## FOB Jeddah -KSA PRICE LISTS

### Auto Repair Benches

---

#### W-800 Mini Auto Repair Bench (mini bench, take less room, popular)



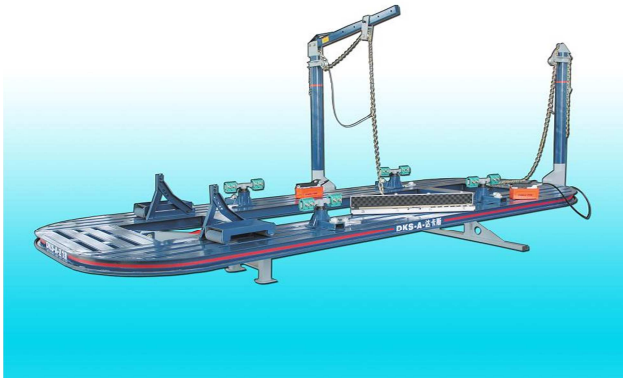
**Price: 48800SR**

#### SPECIFICATIONS:

Platform length-----3400mm  
Platform width-----850mm  
Platform height----120-1200mm  
Pulling power-----10tons  
Post height-----1800mm  
Weight-----1600kg

---

#### W-900DKS Auto Body Collision Repair System



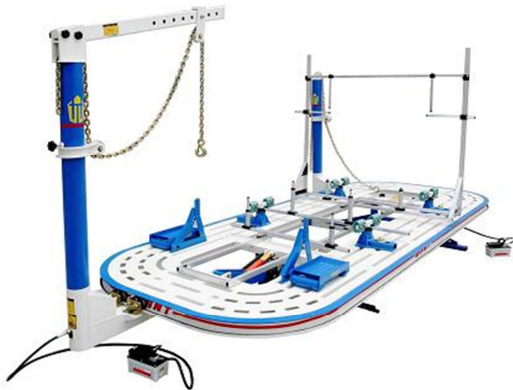
**Price: 50000SR**

#### SPECIFICATIONS:

Platform length-----5200mm  
Platform width----- 2090mm  
Platform height-----500mm  
Hydraulic pressure-----70Mpa (1000psi)  
Post Max.tension-----95KN  
Post working range-----360degree  
Pneumatic pressure range----0.8Mpa  
Max.lifting weight-----3000kg  
Total weight-----2200kg

---

## W-1000 Auto Body Collision Repair System (economic & practical, poplared)



**Price: 60000SR**

### SPECIFICATIONS:

Platform length-----5200mm  
Platform width----- 2090mm  
Platform height-----500mm  
Hydraulic pressure-----70Mpa (1000psi)  
Post Max.tension-----95KN  
Post working range-----360degree  
Pneumatic pressure range----0.8Mpa  
Max.lifting weight-----3000kg  
Total weight-----2200kg

---

## W-1500 Auto Body Collision Repair System (economic & practical, adjusted)



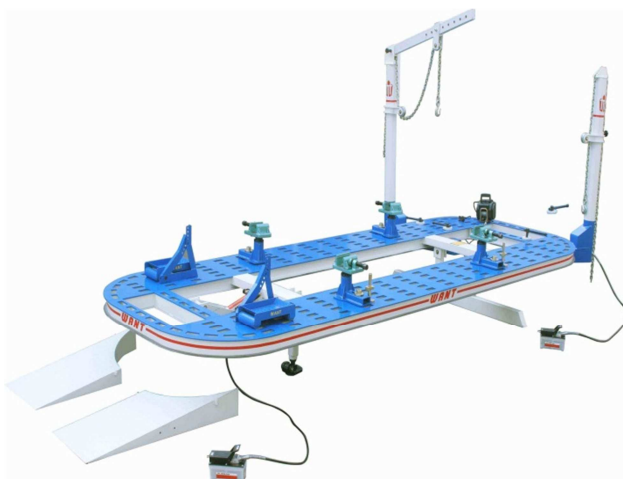
**Price: 64000SR**

### SPECIFICATIONS:

Platform Length-----5200mm  
Platform Width-----2090mm  
Platform Height-----570-630mm  
Hydraulic Pressure---70MPa (10000psi)  
Post Max. Tension-----95KN  
Post Working Rang-----360degree  
Pneumatic Pressure Range---0.8Mpa  
Max.Lifting Weight-----3000kg  
Total Weight-----2200kg

---

## W-1600 Auto Body Collision Repair System (graceful & practical, poplared)



**Price: 66000SR**

### SPECIFICATIONS:

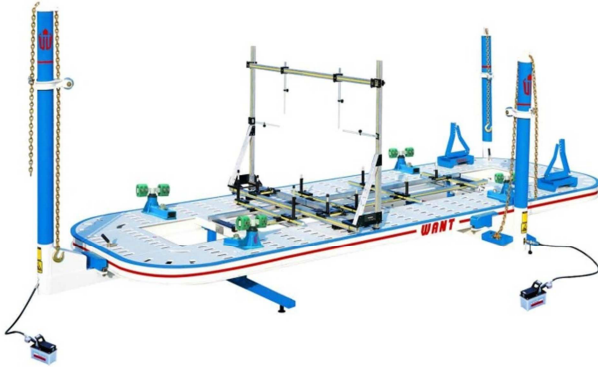
Platform Length-----5700mm  
Platform Width-----2100mm  
Platform Height-----570-630mm  
Hydraulic Pressure----70MPa (10000psi)  
Post Max. Tension-----95KN  
Post Working Rang-----360degree  
Pneumatic Pressure Range-----0.8Mpa  
Max.Lifting Weight-----3000kg

Total Weight-----2600kg

---

### W-1800 Auto Body Collision Repair System (longest & luxury, popular)

**Price: 85900SR**



**SPECIFICATIONS:**

- Platform Length-----6500mm
  - Platform Width-----2090mm
  - Platform Height-----400-460mm
  - Hydraulic Pressure--70MPa (10000psi)
  - Post Max. Tension-----95KN
  - Post Working Rang-----360degree
  - Pneumatic Pressure Range--0.8Mpa
  - Max.Lifting Weight-----4000kg
  - Total Weight-----3200kg
- 

### W-2000 Auto Body Collision Repair System (practical, multifunctional, popular)

**Price: 75650SR**

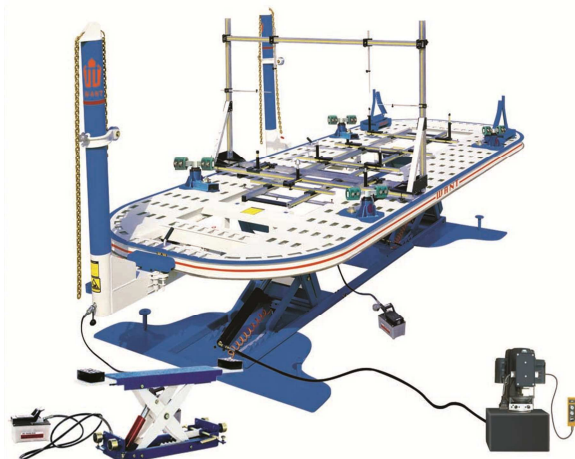


**Specifications:**

- Platform length: 5,700mm
  - Platform width: 2,090mm
  - Platform height: 300-1050mm
  - Hydraulic pressure: 70mPa (10,000psi)
  - Post maximum tension: 95kN
  - Post working range: 360 degrees
  - Pneumatic pressure range: 0.8mPa
  - Maximum lifting weight: 3,500kg
  - Total weight: 3,000kg
- 

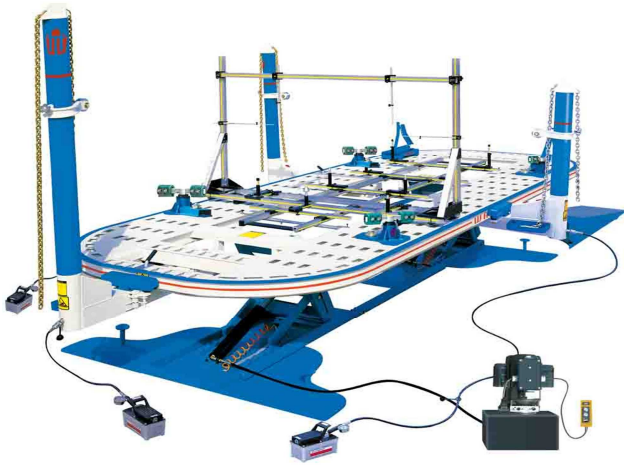
### W-3000 Auto Body Collision Repair System (luxury, multifunctional, popular)

**Price: 88200SR**



**SPECIFICATIONS:**

- Platform Length-----5700mm
- Platform Width-----2090mm
- Platform Height-----300-1050mm
- Hydraulic Pressure----70MPa (10000psi)
- Post Max. Tension-----95KN
- Post Working Rang-----360degree



Pneumatic Pressure Range-----0.8MPa  
Max.Lifting Weight-----3500kg  
Total Weight-----3000kg

---

## **W-3500 Auto Body Collision Repair System (luxury, multifunctional, poplared)**

**Price: 92880SR**

### **SPECIFICATIONS:**

Platform Length-----6000mm  
Platform Width-----2100mm  
Platform Height-----300-1050mm  
Hydraulic Pressure-----70MPa (10000psi)  
Post Max. Tension-----95KN  
Post Working Rang-----360degree  
Pneumatic Pressure Range-----0.8MPa  
Max.Lifting Weight-----3500kg  
Total Weight-----3000kg

---

## **W-6000B Heavy Truck Repair System (special, fit for heavy truck & trailer)**

**Price: 334700SR**



Platform length--9000mm  
Platform width--2580mm  
Platform height--570mm  
Hydraulic pressure--70Mpa (10000psi)  
Post Max.Tension--245KN  
Post working rang--360degree  
Pneumatic pressure range--0.8Mpa  
Total weight--9.5tons  
Tower height--3900mm  
Tower quantity--6sets (can add according to client requirement)

---

## W-6000C Heavy Truck Repair System (special, fit for heavy truck & trailer)



**Price: 352000SR**

### SPECIFICATIONS:

- Platform length--11500mm
- Platform width--2580mm
- Platform height--570mm
- Hydraulic pressure--70Mpa (10000psi)
- Post Max.Tension--245KN
- Post working rang--360degree
- Pneumatic pressure range--0.8Mpa
- Total weight--11tons
- Tower height--3900mm
- Tower quantity--6sets (can add according to

client requirement)

---

## Auto Measuring System



### W-400 Laser Measuring System

(special, save time, accurate)



**Price: 92,000SR**

1. Measure the main measuring points of the vehicle with laser and specialties designed target.
2. Has 4 laser beam, could self-correcting the error which caused by the target leaning.
3. Can be put any place, the measuring results automaticly restored to the basic line of the vehicle.
4. Different size adapters satisfy the requirements of each different measuring point.
5. Deceifful out shape and easy to be used.
6. Human and machine communicate friendly, easy to operate
7. May be used with reshaping system and lifting device to carry on survey to auto body.
8. All kinds of vehicles data.
9. Easy communicating and operation.

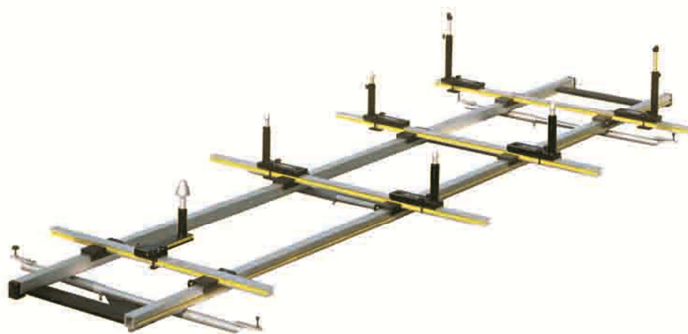


### W-100 Measuring System

**Price: 2780SR**

### W-200 Measuring System

**Price: 6800SR**



### W-300

### Measuring System

**Price: 12,800SR**

(W-100, W-200, W-300)



1. Employing alluminun alloy of high quality, produced by special mold, combining various strikings, these systems are matching the theory of human engineering.
  2. Produced by special equipment through strict technology with exact cooperation.
  3. The car body reference measuring principle with simple and convenient manipulation, high working efficiency and wide range of application.
  4. Can be employed on various auto body data.
  5. Combining with WANT collision repair system, can meet with the measuring and reshaping of any reshaped form.
- 

## Auxiliary equipment

---



### Wheel Dolly W-0801

**Price: 1990SR**

**SPECIFICATIONS:**

Lift height -----250mm-520mm

Lift weight-----40kg

Wheel diameter-----920mm

---



### Rotary Rack W-0802

**Price: 2500SR**

**Product features:**

1. Simple design, convenient and practical
  2. Support all kinds of collision works (front and rear baffle plates, engine hood and thread holder, etc.).
  3. With rotative support, it facilitates all sides process.
  4. Adjustable, maximum satisfy different working demands.
  5. Rotary rack can be moved quickly and stable.
- 



### Secondary Jack W-7400

**Price: 7650SR**

**SPECIFICATIONS:**



Jack length-----828mm  
 Jack width-----240mm  
 Jack height-----174—477mm  
 Max. Lifting weight-----2.2tons  
 Total weight-----65KG



### Air Jack W-7600

**Price: 2800SR**

**SPECIFICATIONS:**

Jack Length-----505mm  
 Jack width-----330mm  
 Jack height-----170mm  
 Lifting height-----144mm--309mm  
 Lifting weight-----2.2ton



### Electric Trailer (winch) W-7500

**Price: 2520SR/PC**

**SPECIFICATION:**

1. Electrical Requirements: 12volt Dc InputLoad
2. Capacities: 10,500lbs. (Rolling)/9,000lbs.(Marine)3,500lbs. (Pulling)
3. Power In and Out Capability: Yes
4. Line Speed: 10ft.Per Minute with Load
5. Cable Length/Diameter:36ft/Φ5.8mm
6. Battery Cable Lengths: 23ft.

7. Remote Cable Length: 10ft
8. Mounting Plate Dimensions: 8-3/4”Lx15/16”Hx3/16”W
9. Main Hook Size: 5/8”Openingx4-1/4”Long
10. Pulley Hook Size: 5/8”Openingx7-5/8”Long
11. Net Weight: 46lbs








### Tool Trolley

Including all kinds of useful repair tools can be used along with all the repair equipments, come along with the auto repair bench

## Auto Clamps and Accessories

Model	price/unit	Picture
Mini Pulling Tool 0054	SR 320	
C-Clamp 0205	SR 433	
Large Self Tight Clamp 0300	SR 437	
Mini Self Tight Clamp 0305	SR 433	
Self Tight Clamp 0405	SR 480	
Boxy Clamp 0680	SR 490	
Connecting Pulling Hook 1000	SR 230	
Connecting Clamp 1100	SR 290	
Right Angle Hook 1300	SR 224	
Multi-Angle Pulling Tool 1450	SR 218	
Assembled Pulling Ring 1500	SR 195	
Down Pulley Assembly 2450	SR 650	
Large Circle Head Hook 3110	SR 259	
Large flat Head Hook 3120	SR 239	
Mini Circle Head Hook 3130	SR 227	
Mini flat Head Hook 3140	SR 228	
Unibody Clamp 4021	SR 590	
Unibody Clamp 4022	SR 700	
Three Points Pulling Pincers 4030	SR 395	

Olivary Hanging rings 4043	SR 98	
Assembled Frame Pulling Tool 4047	SR 220	
Multi-Hole Pulling Plate 4048	SR198	
Hanging Nose 4051	SR 79	
Single Claws Connecting Plate 4056	SR 224	
Two Single Claws 4110	SR 160	
Double Claw Hook 4120	SR 210	
Two Single Self Tight Claws 4150	SR 225	
Hook 4151	SR 340	
Chain Connecting Hook 4152	SR 230	
Hanging Rings 5626	SR 86	
G-clamp 5800	SR 610	
Shock Absorber Clamp 5810	SR 580	
Nylon Sling 6300	SR 160	
Steel Sling 6350	SR 170	
Deep Hook 6400	SR 580	
Hydraulic Ram 8000	SR1500	
Hook-Type Spanner 8100	SR 90	

Chain 8200	SR 850	
Power Team Pump W-7601	SR2600	
Eagle Pro Pump W-7602	SR1900	
New Clamp For BMW&Benz W-7200	SR3600(1set=4pcs)	
Clamp For Honda W-7300	SR3900(1set=4pcs)	
Clamp For BMW W-4018	SR 2700(1set=4pcs)	